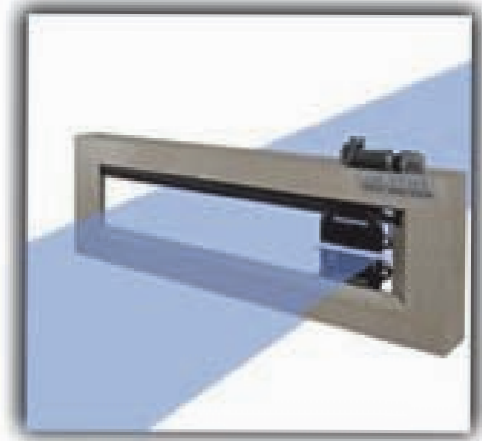


The **FACTS** PMC Series O-Frame Scanner provides a rugged, high speed scanning platform and is designed for precise and repeatable performance with an extended life of operation, even in harsh environments.



Features

- ▣ High speed scanning up to 10 inches per second
- ▣ Non-proprietary, off-the-shelf components
- ▣ Up to four sensors per frame
- ▣ Accommodates any pass line angle with our unique trunion mounting
- ▣ Available in web widths up to 240 inches

Design and Construction

- ▣ Precision laser-aligned, H-beam steel construction
- ▣ Non-lubricated composite bearings
- ▣ High torque drive system with:
 - Shaft coupled drive and timing gears
 - Steel reinforced timing belts
 - Non-proprietary clutch assembly
 - Long life, cable track system
- ▣ All electronics with the exception of the drive motor and position encoder can be located remote to the frame

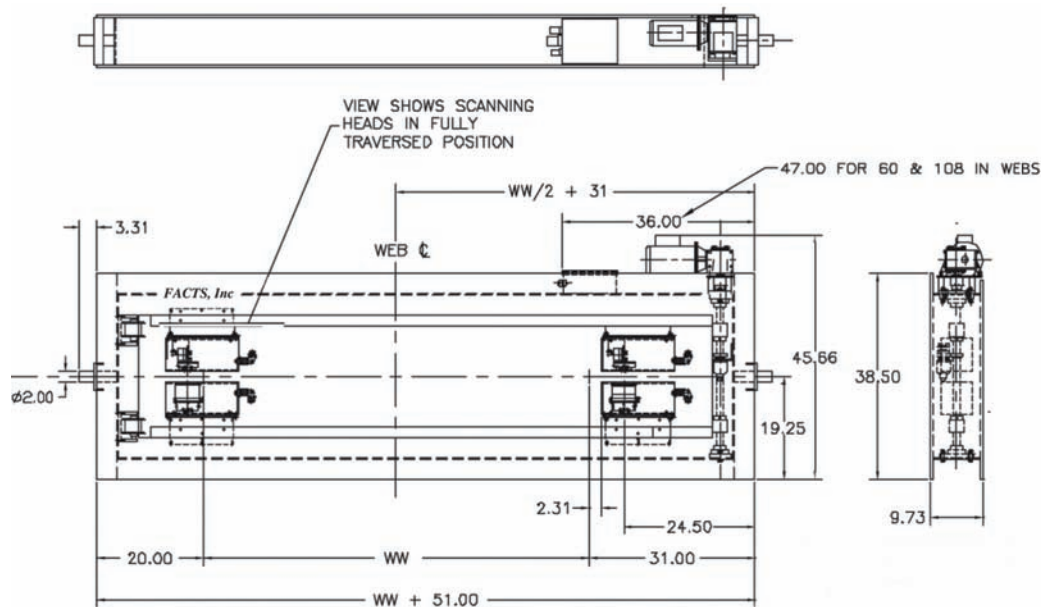
Benefits & Payback

- ▶ **Long-term reliability and operation**
- ▶ **Non-proprietary components**
- ▶ **Ease of serviceability**
- ▶ **Low cost of lifetime maintenance**

FACTS Capabilities

FACTS is a complete provider of turn key automation systems for continuous processes. Our capabilities include Total Line Control, heater and drive panels, data collection, analysis & reporting tools, profile control systems, new scanning systems and scanner retrofits.

NUCLEAR SCANNER SYSTEMS WITH 'O' FRAME



Typical Nuclear Sensor Specifications

Source	Promethium 147	Krypton 85	Strontium 90
Isotope Strength	200mCi	190 mCi / 1200 mCi	100 mCi
Half-Life	2.9 years	10.7 years	28 years
Measurement Range			
Thickness	0.4 - 5 Mils 0 - .13 mm	0.8 - 40 / 0.25 - 50 mils 0.02 - 1 mm	2 - 300 mils 0.08 - 7.6 mm
Basis Weight	10 - 130 g/m sq	33-1000g/m sq/0-1300g/m sq	66 - 7620 g/m sq
Precision	Typically better than $\pm 0.25\%$	Typically better than $\pm 0.25\%$	Typically better than $\pm 0.25\%$
Repeatability	Typically better than $\pm 0.1\%$	Typically better than $\pm 0.1\%$	Typically better than $\pm 0.1\%$
Temp Compensation	Yes	Yes	Yes
Passline Sensitivity	Typically $\pm 0.1\%$ @ 0.250"	Typically $\pm 0.1\%$ @ 0.250"	Typically $\pm 0.1\%$ @ 0.250"
Time Constant	<10ms	<10ms	<10ms
Source Geometry	7/16 inch diameter	7/16 inch diameter	7/16 inch diameter
Standard Air Gap	0.5 inch	0.5/1.0 inch	1.0 inch
Max Operating Temp			
Frame	160F	160 F	160F
Console	120F	120F	120F

FACTS Inc. is the leader in process control technology for the polymer market. In fact, we wrote the book on extrusion control—literally. For the Society of Plastics Engineers, **FACTS** penned the chapter on Extrusion Control in the "Guide on Extrusion Technology & Troubleshooting."

FACTS Inc. routinely provides new and existing process lines with complete electronic control systems and integrated HMI. Controls provided include, but are not limited to: temperature, speed and pressure control; sequence control; drive and heater systems; profile measurement on control.

FACTS Inc. offers you experience at your fingertips with 24/7 support via Inernet or modem.

FACTS Inc. provides the tools to control your bottom line. Contact us today.



FACTS, Inc.
2737 Front Street
Cuyahoga Falls, Ohio 44221

T: (330) 928 2332
F: (330) 928 3018
www.facts-inc.com